

CLEANAIR

CARBON UV AIR TREATMENT SYSTEM



Introducing our most advanced whole-house air treatment system yet. Carbon UV is the result of ten years of development. It has revolutionized indoor air quality with significantly improved performance, functionality, and reliability.

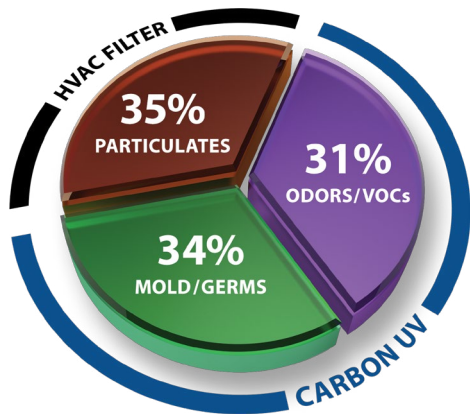
FEATURES

- 33% more effective than previous model in laboratory tests
- V-Twin carbon element with 65% more effective surface area
- Proprietary carbon cells with antimicrobial nanotechnology
- 3 year UV-C lamp
- LED status and lamp fault indicator
- Translucent polycarbonate housing
- Face-plate rotates for 90° installation



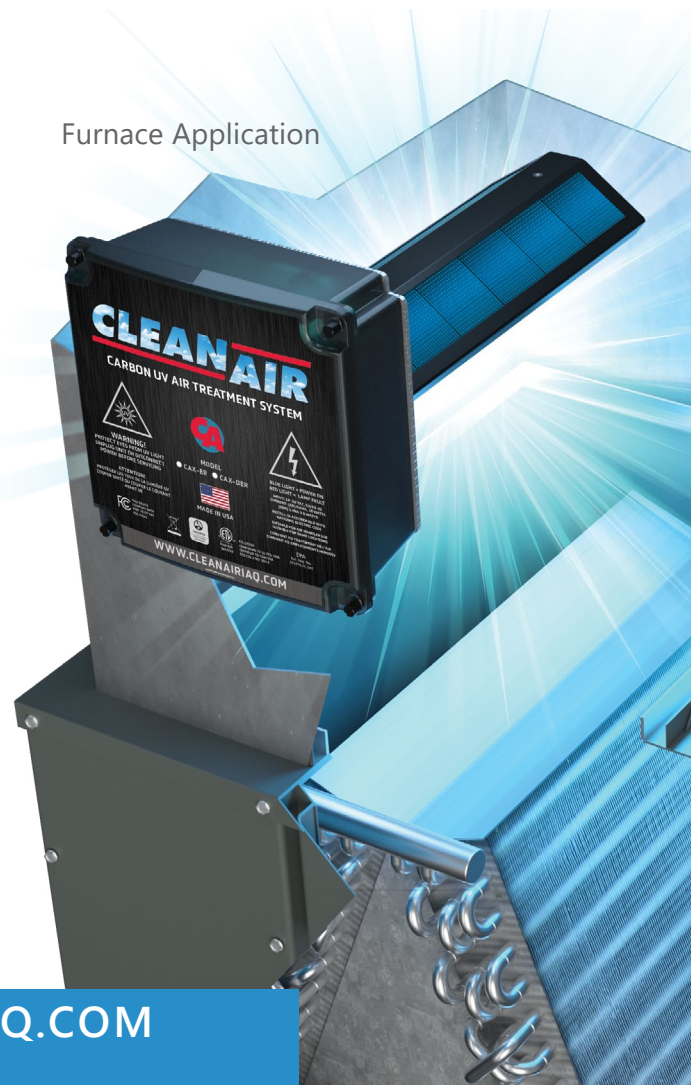
BENEFITS

- Whole-house air purification
- Neutralizes odors & toxic VOCs
- Kills viruses, mold, & bacteria
- Improves indoor air quality
- Inhibits HVAC mold growth

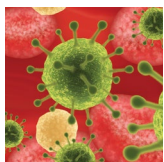


NEUTRALIZE VIRUSES & VOCs

Furnace Application



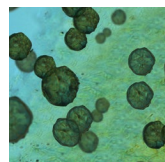
Sterilizes Microbes & Neutralizes Odors/VOCs



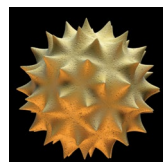
VIRUSES



BACTERIA



MOLD



ALLERGENS



PET ODORS



TOBACCO



FOOD SMELLS



CHEMICALS

CLEANAIR

CARBON UV AIR TREATMENT SYSTEM



An entirely new V-Twin Carbon Matrix™ takes Clean Air Carbon UV to a new level of air treatment. The new configuration includes an antimicrobial nanotech coating and 65% more effective carbon surface area resulting in a 33% improvement in performance compared to the original carbon system.



Air Handler Application

Carbon UV sterilizes biological contaminants and neutralizes odors and toxic VOCs

Coil with Mold

Coil with UV Light

Carbon UV Dual systems include a 2nd UV light for coil disinfection

Polarized Air Cleaner (optional polarized filter) captures particulates down to .3 microns (.00001 inch).



Validated Ozone-Free by UL

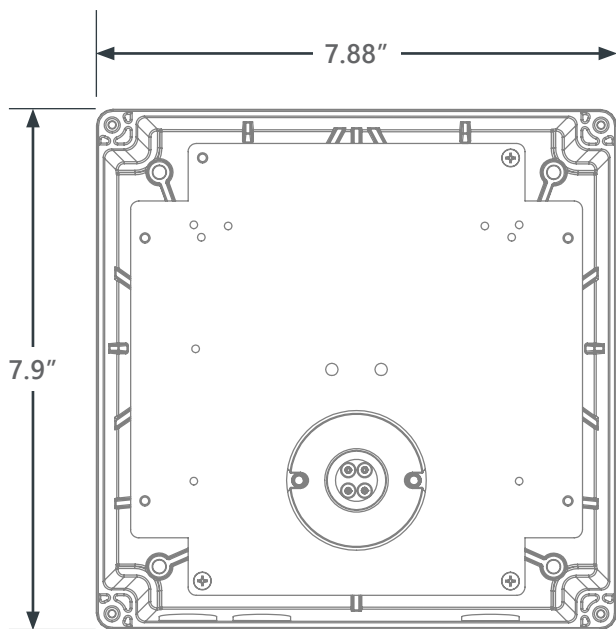


CLEANAIR

CARBON UV AIR TREATMENT SYSTEM

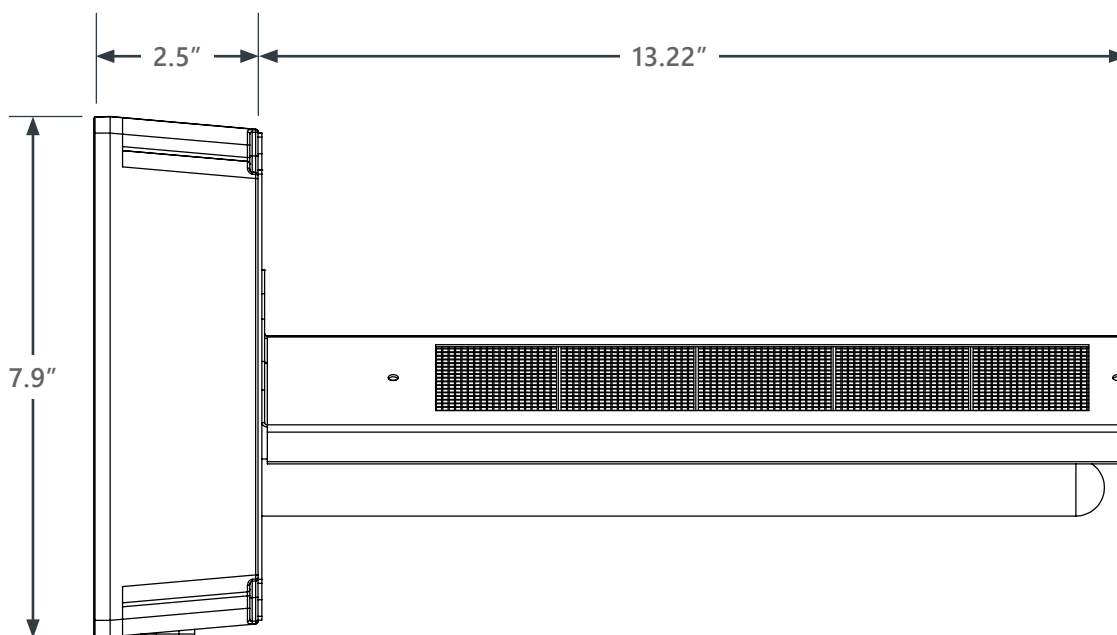


SPECS



| Carbon UV Specs | | |
|---------------------------------------|--|-------------------|
| UV Lamp | 254 nm germicidal UV-C, quartz hot filament | |
| Dimensions | Cell & Lamp: 5.8"W x 3.25"H x 13.2"D Enclosure: 7.6"L x 7.6"W x 2.2"D | |
| ER models Electrical | 18-32 VAC, 60 Hz, 0.68 Amps, 16 VA | |
| SI DI models Electrical | 120-277 VAC, 50/60 Hz, 0.51 Amps/120V Thru 0.22 Amps/277V | |
| Pressure Drop | <0.01" w.c. @ 400 FPM | |
| Warranty | Lifetime for all parts except lamp | |
| Part Numbers | | |
| 18-32 VAC | | Replacement Lamp |
| CAX-PCOX-ER3 | 3 Year Lamp | TUVL-315 |
| 18-32 VAC with 2nd UV Lamp for Coil | | Replacement Lamps |
| CAX-PCOX-DER3 | 3 Year Lamp (2) | TUVL-315 |
| 120-277 VAC | | Replacement Lamp |
| CAX-PCOX-SI3P | 3 Year Lamp | TUVL-315 |
| 120-277 VAC with 2nd UV Lamp for Coil | | Replacement Lamps |
| CAX-PCOX-DI3P | 3 Year Lamp (2) | TUVL-315 |

EPA
Est. Reg. No.
075179-FL-002



MADE IN USA

WWW.CLEANAIRIAQ.COM

CAX-SPECS 042621